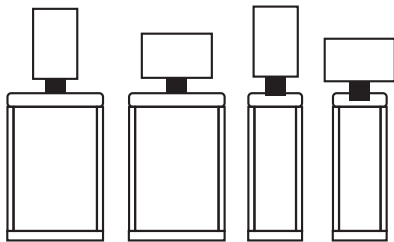


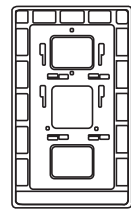


Utility Knife Required 

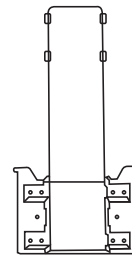
**EC1119**



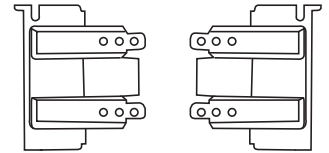
11 Fasteners



Sign Board Frame

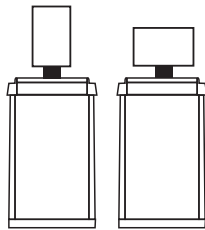


Riser

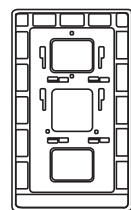


Short Bracket

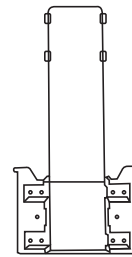
**EC1818**



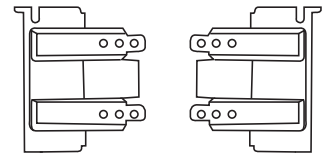
11 Fasteners



Sign Board Frame

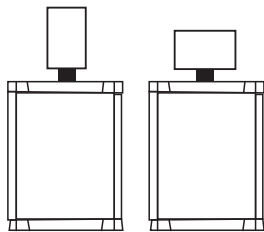


Riser

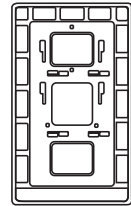


Short Bracket

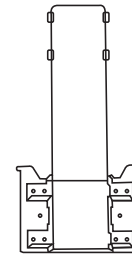
**EC2626**



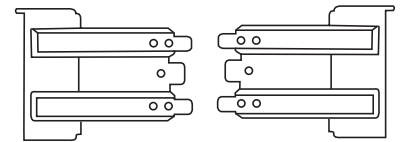
11 Fasteners



Sign Board Frame



Riser



Long Bracket

*Best selection, lowest prices.*

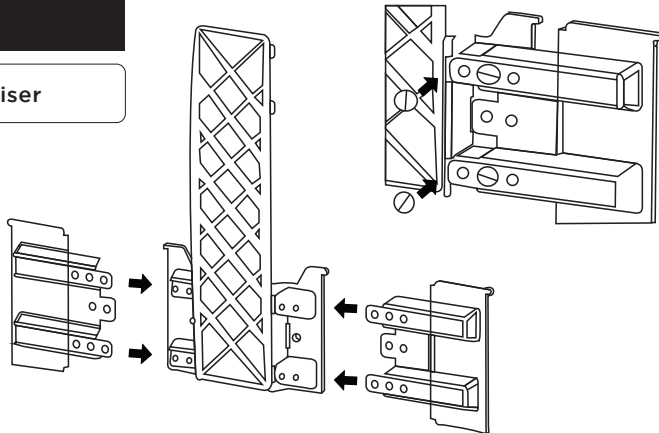
Call us for Quantity Discounts and Custom Designs!

800.664.5340 [www.recycleaway.com](http://www.recycleaway.com)

#### STEP 1

Install brackets on to riser

8 Fastners



1. Slide the bracket over the riser holes

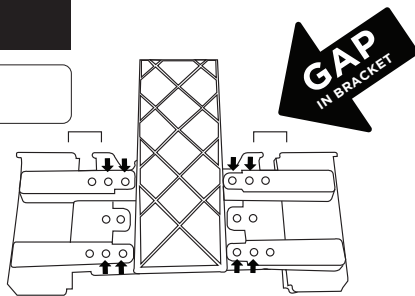
2. Snap brackets onto holes

3. Insert fasteners into holes

#### EC1119 - Long Side

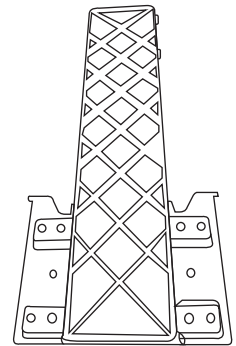
Use short brackets

8 Fastners



#### EC1119 - Short Side

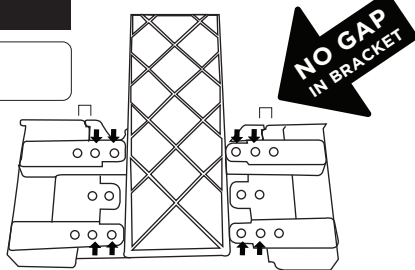
No brackets added



#### EC1818

Use short brackets

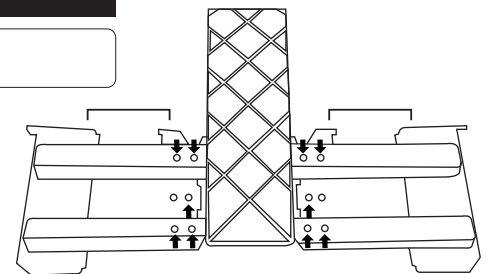
8 Fastners



#### EC2626

Use long brackets

8 Fastners



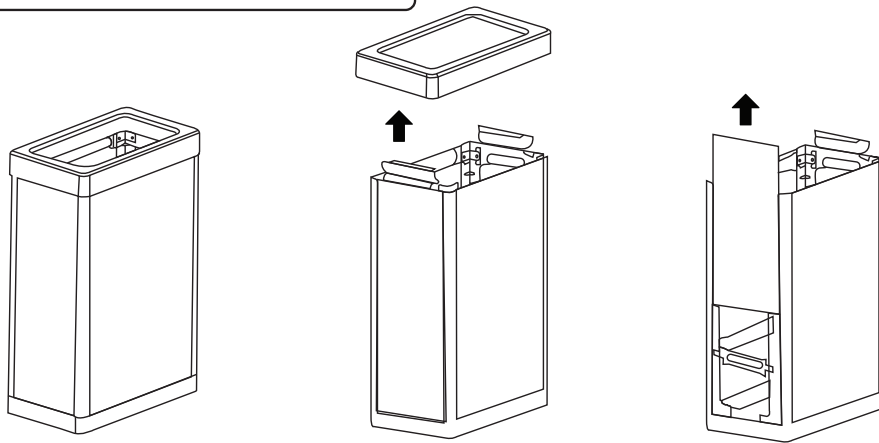
*Best selection, lowest prices.*

Call us for Quantity Discounts and Custom Designs!

800.664.5340 [www.recycleaway.com](http://www.recycleaway.com)

#### STEP 2

Insert assembled riser/bracket into bin



1. Remove Lid

2. Remove Panel

#### CUT PANEL

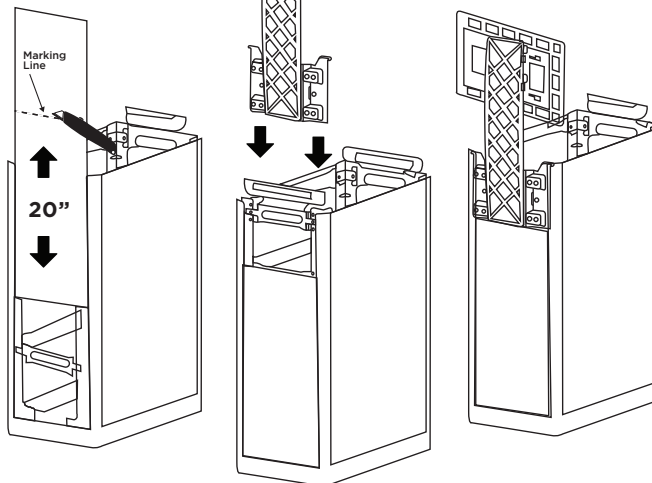
##### PANEL CUT LIST

|        |             |         |
|--------|-------------|---------|
| EC1119 | SHORT PANEL | 20"     |
| EC1119 | LONG PANEL  | 19"     |
| EC1818 |             | 19"     |
| EC2626 |             | 22 1/4" |

1. Measure panel length, then mark a line with a pen on the panel.  
(See Panel Cut List above.)

2. Cut panel with utility knife along the line

##### EXAMPLE EC1119 SHORT PANEL



1. Slide cut panel into tracks

2. Slide riser/brackets into tracks

*note: apply even pressure so riser slides in straight/even*

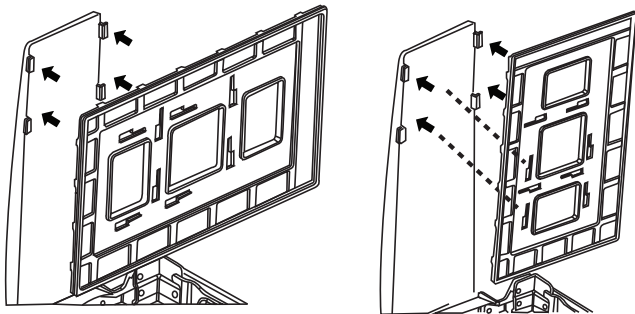
**Best selection, lowest prices.**

Call us for Quantity Discounts and Custom Designs!

800.664.5340 [www.recycleaway.com](http://www.recycleaway.com)

**STEP 3**

Attach the signboard frame by inserting signboard frame onto riser tabs shown by arrows through the slots on the signboard frame. Push frame down into the narrow part of the slot, thus locking it into place.

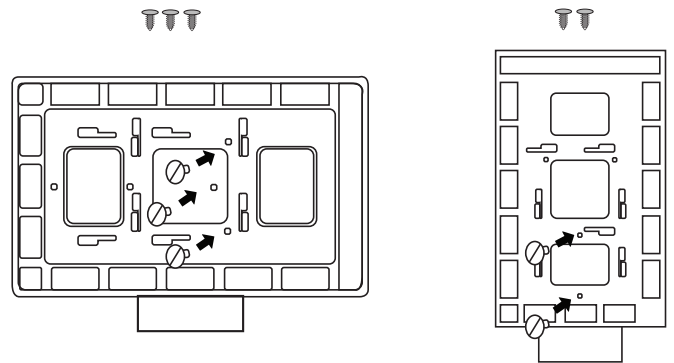


LANDSCAPE

PORTRAIT

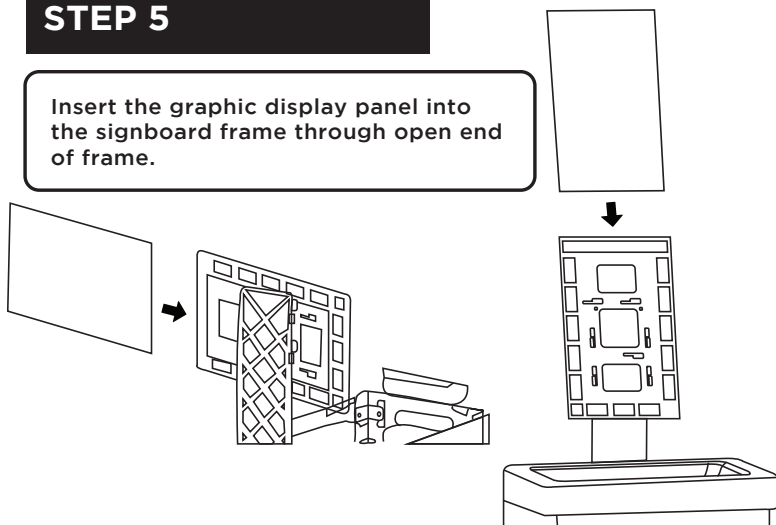
**STEP 4**

Insert fasteners into holes

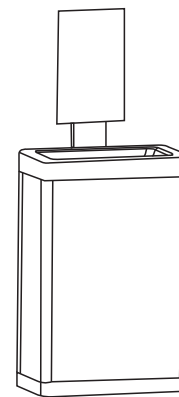


**STEP 5**

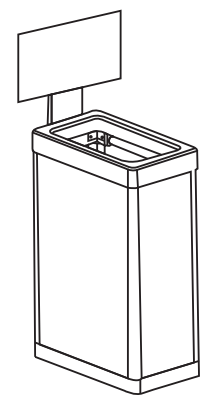
Insert the graphic display panel into the signboard frame through open end of frame.



**COMPLETED INSTALLATION**



PORTRAIT



LANDSCAPE

*Best selection, lowest prices.*

Call us for Quantity Discounts and Custom Designs!

800.664.5340 [www.recycleaway.com](http://www.recycleaway.com)